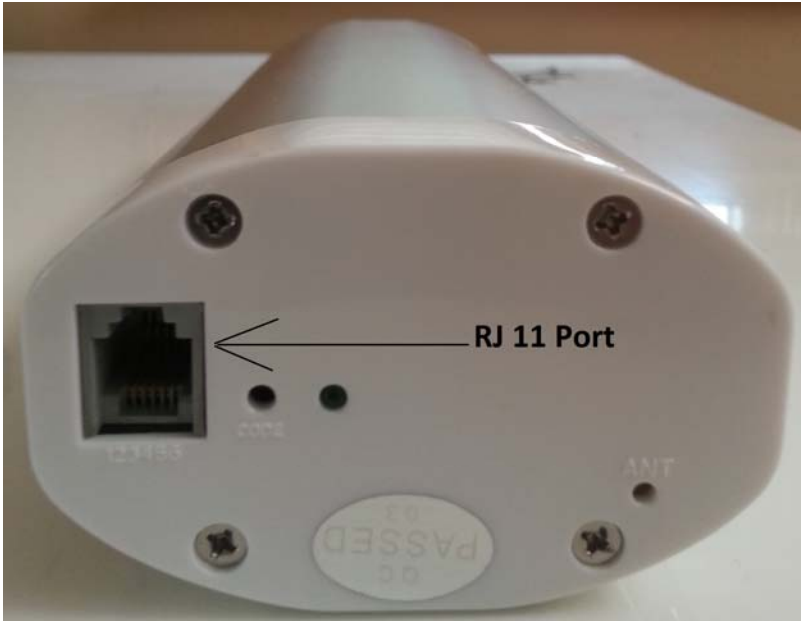


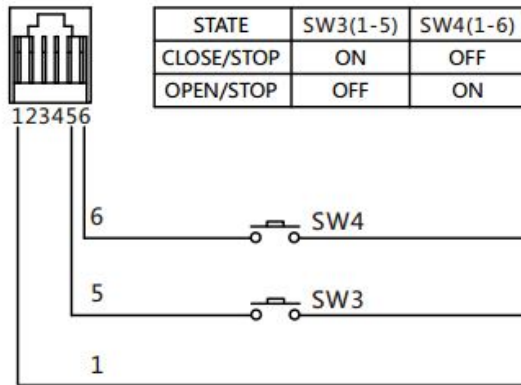
6-pin RJ11 Port for Home Automation / Home Theater System



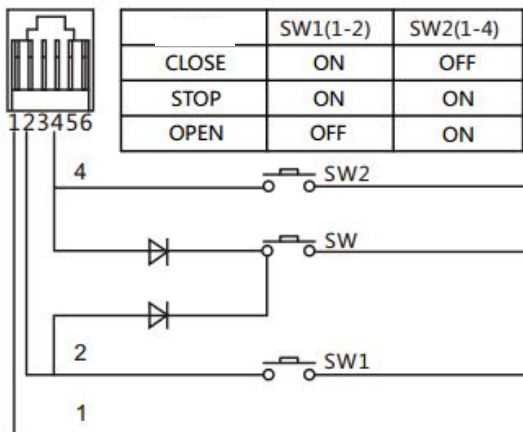
6P6C

PIN	DESCRIPTION
1	GND
2	CLOSE(34)
3	OPEN/STOP/CLOSE/STOP
4	OPEN(34)
5	CLOSE(12)/RS485-B
6	OPEN(12)/RS485-A

1/2 control logic



3/4 control logic



RS485 (only supported by custom programming)

