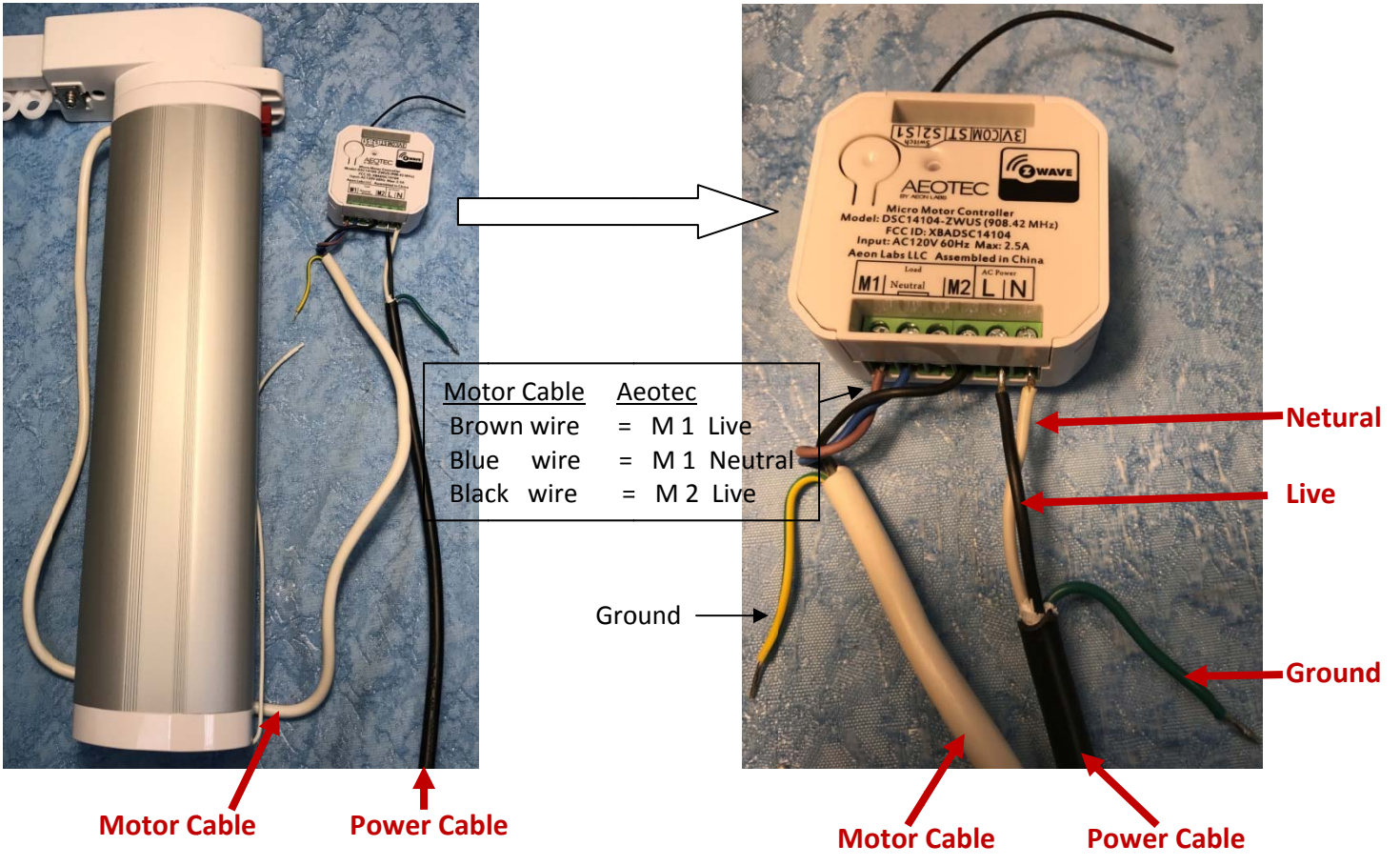
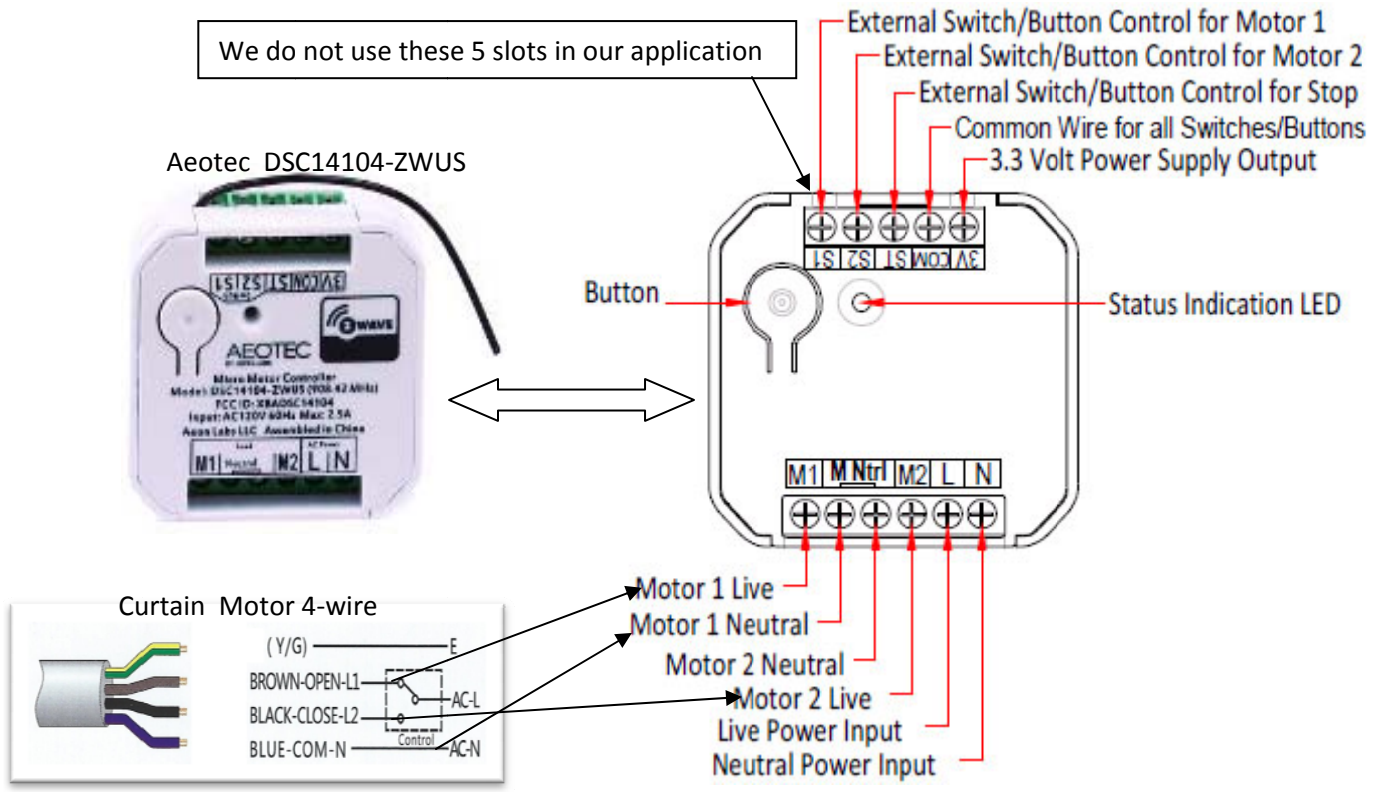


High Voltage Wiring Diagram between CL-920C4 Curtain Motor and Aeotec DSC14104-ZWUS



- Insert the Motor to the Track.
- After the above connection is done, press the "button" on the Aeotech micro controller to open/close the curtain.
- Program the Motor with Remote Control. Please read the instruction file:
https://powercurtain.com/media/instructions/cl920/cl920_one_channel_remote_control_programming_instructions.pdf
- Connect the Samsung Smartthings Hub to your internet router.
 Go to Amazon Alexa APP, tap "Smart Home", tap "Get More Smart Home Skills", scroll down the list to find SmartThings, tap "SmartThings" to connect them together.
- Connect Aeotec Controller to the SamrtThings Hub as follow:
 On the SmartThings APP, tap "My Home " , tap "ADD a Thing".
 It will start searching for the Aeotec Controller.
 If it takes longer than 30 seconds, then press the "button" a couple times on the Aeotec Controller.



Once it is found, rename the Device to a different name, such as Curtain, or Bedroom Curtain,etc.
 (the Rename can be done later too)
 Then tap SAVE.
 Now you can tap the ON or OFF to open or close the curtain.

- Set it up with Amazon Echo:
 (Please make sure SmartThings is enable under "Get More Smart Home Skill" first on the Alexa APP)
 On the Alexa APP,tap "Smart Home". Under "Your Devices", tap "Discover devices".
 Make sure it finds the curtain names you just created.
 Now you can voice control the curtain by saying:
 - "Alexa, turn on the curtain" or "Alexa, turn off the curtain"

For further questions, please email: support@powercurtain.com